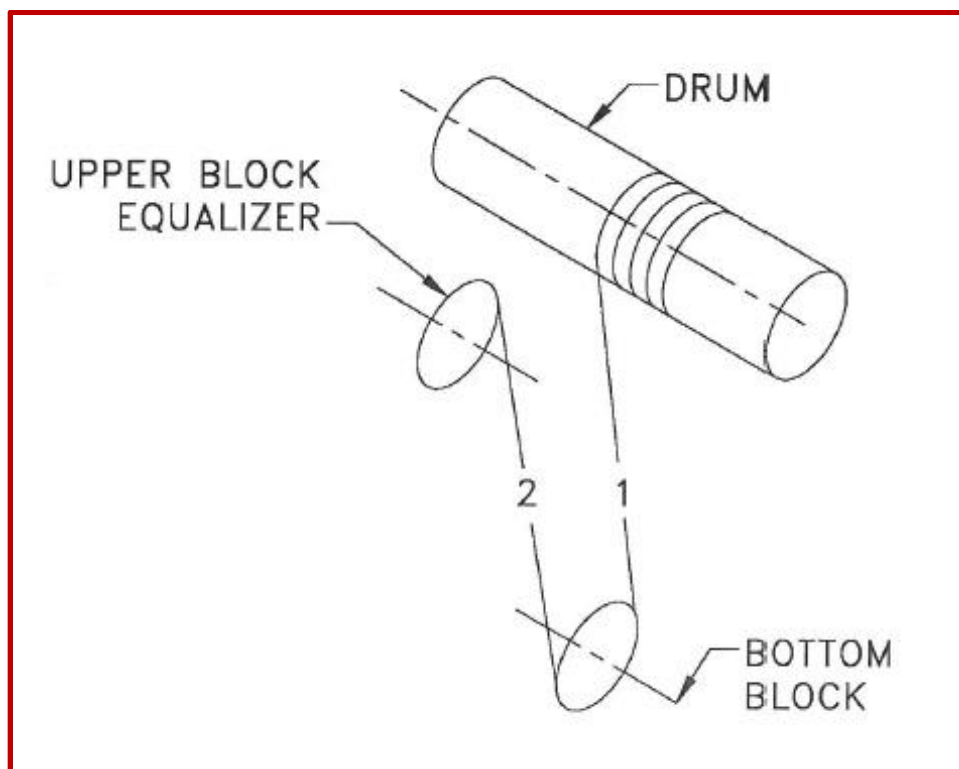


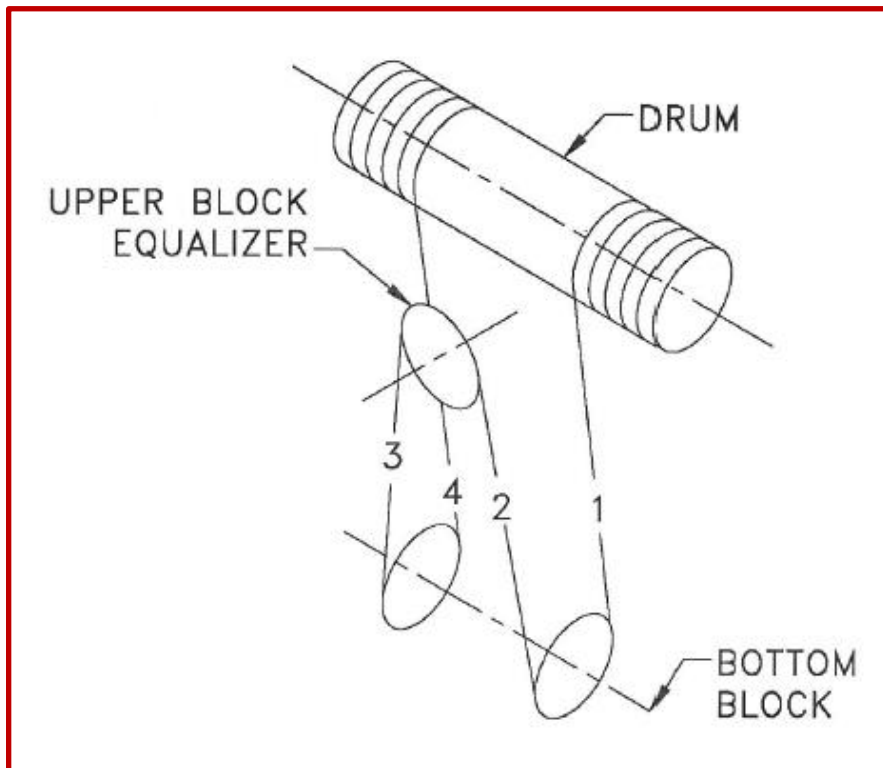
# Reeving Diagrams



2 Ropes – Conventional Reeving

2 Parts – Single

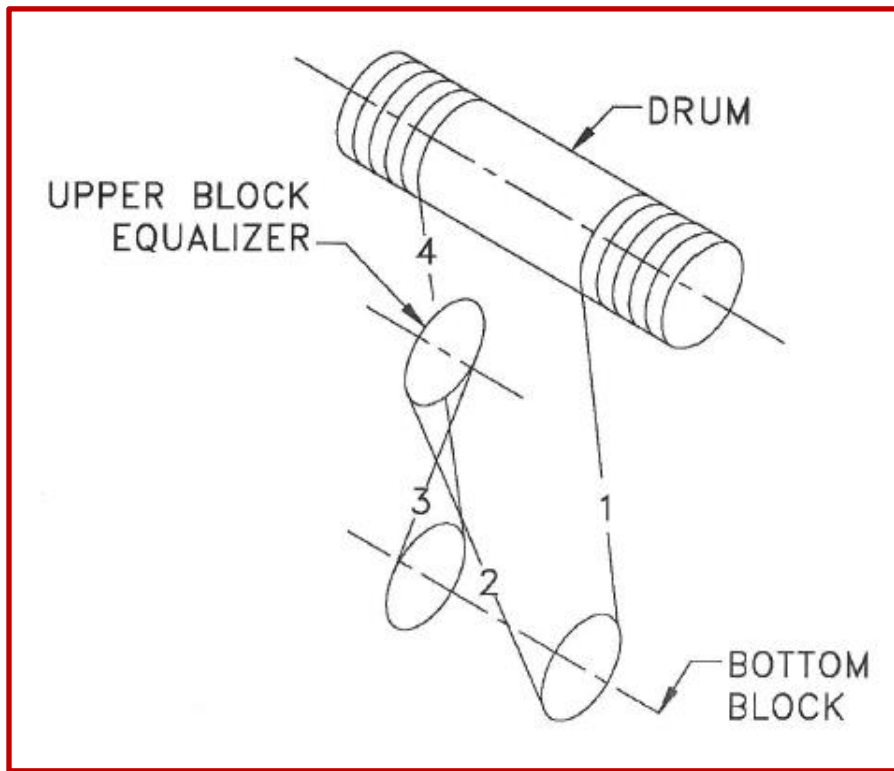
Figure 1



4 Ropes – Conventional Reeving

2 Parts – Double

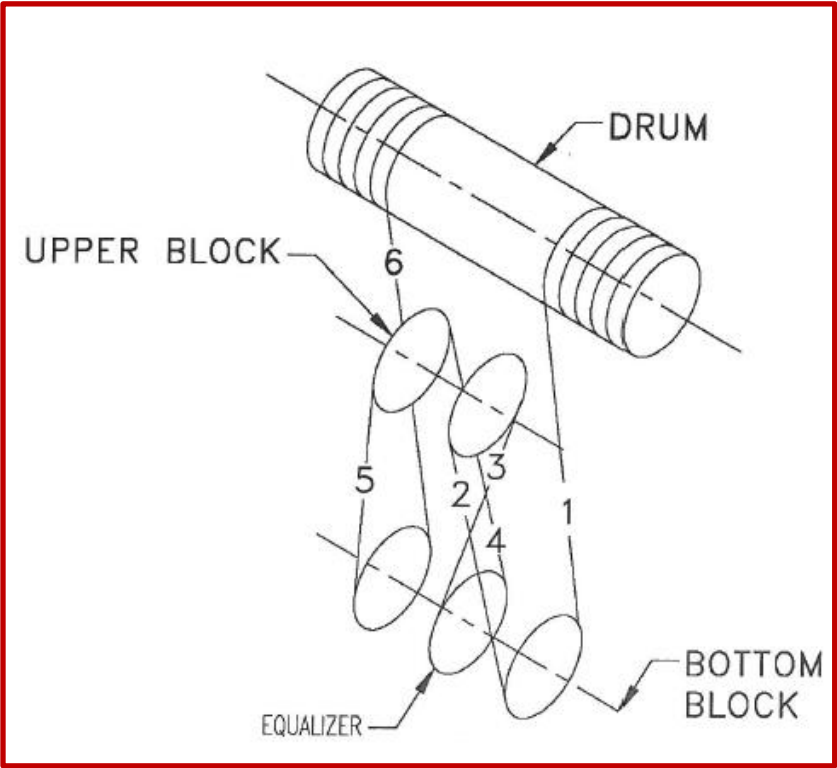
Figure 2



4 Ropes – Cross Reeving

2 Parts – Double

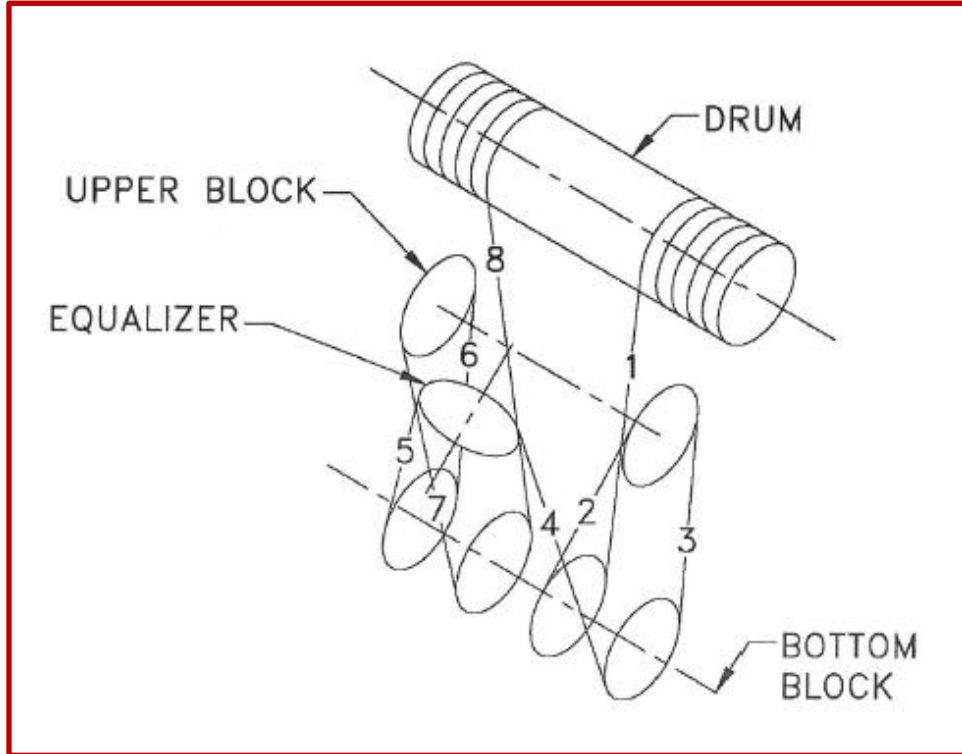
Figure 3



6 Ropes – Cross Reeving

3 Parts – Double

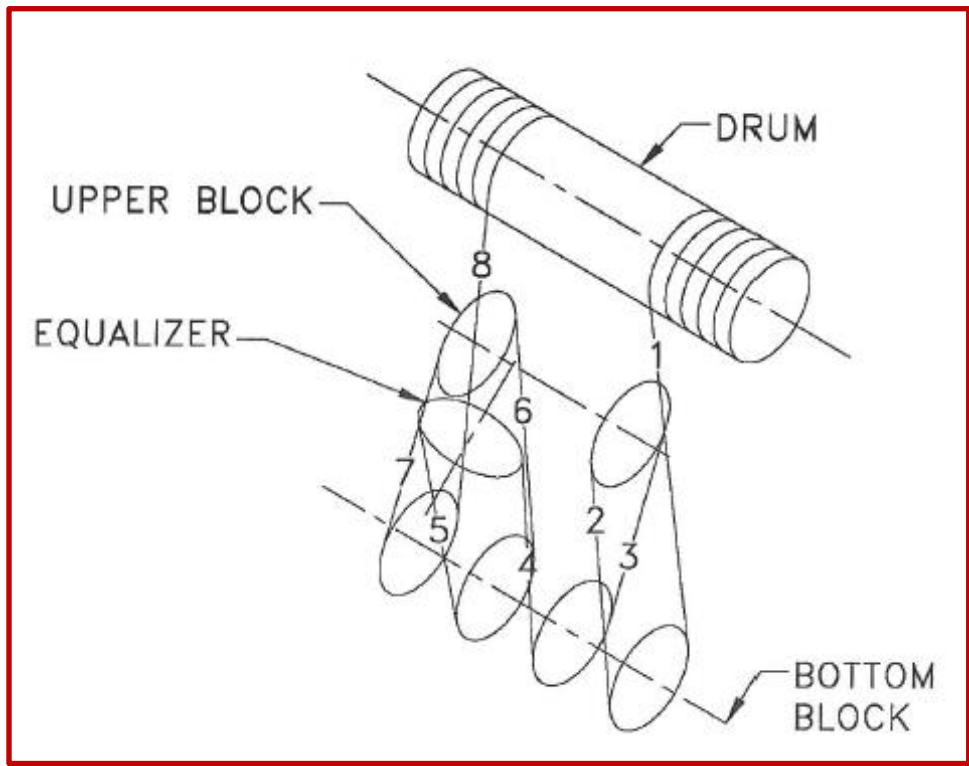
Figure 4



8 Ropes – Conventional Reeving

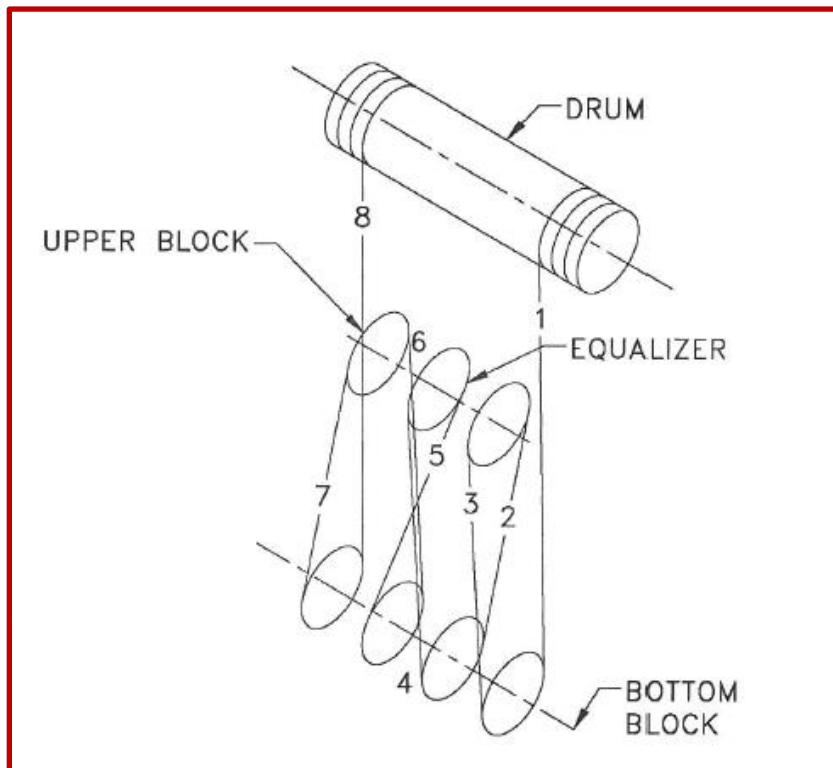
4 Parts – Double

Figure 5

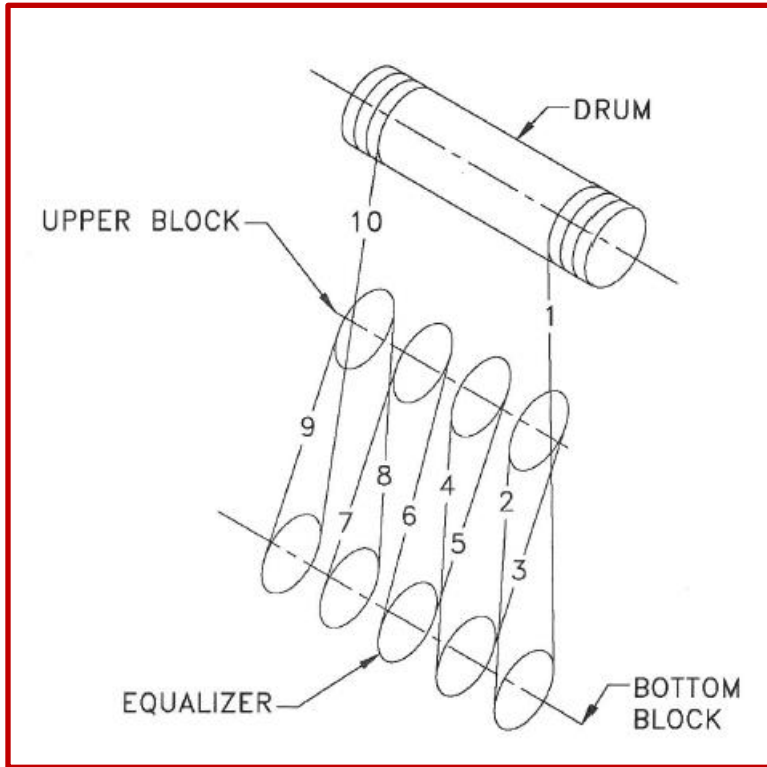


8 Ropes – Conventional Reeving  
4 Parts – Double – Outside to Inside

Figure 6

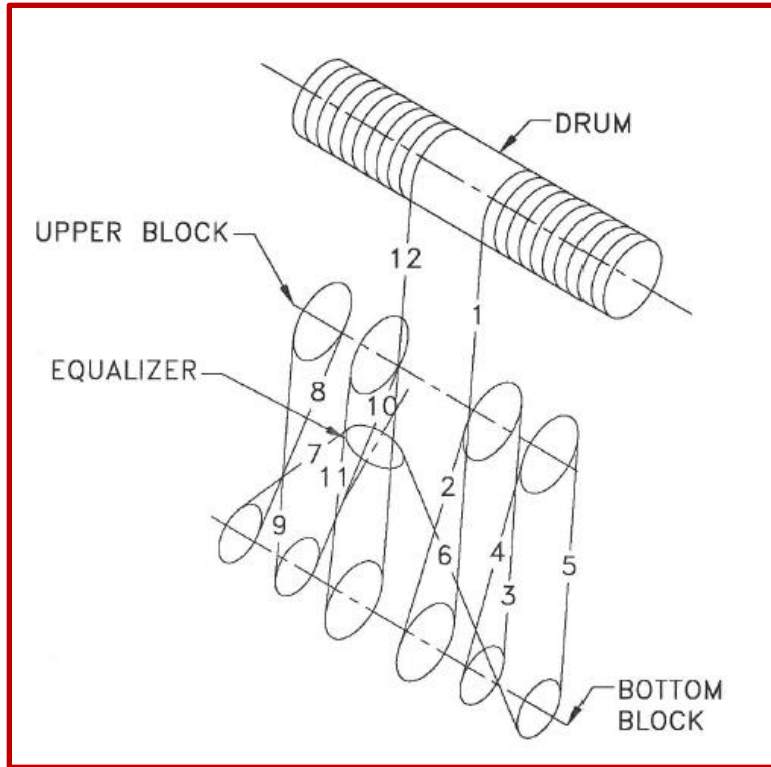


8 Ropes – Cross Reeving  
 8 Parts – Single – Outside to Inside  
 Figure 7



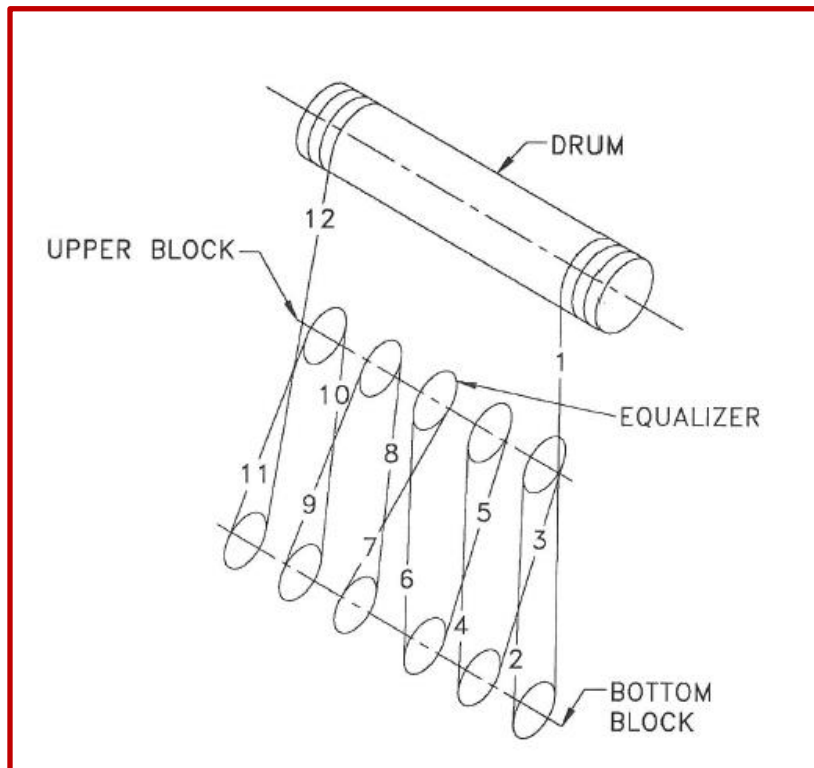
10 Ropes – Cross Reeving  
10 Parts – Single – Outside to Inside  
Figure 8



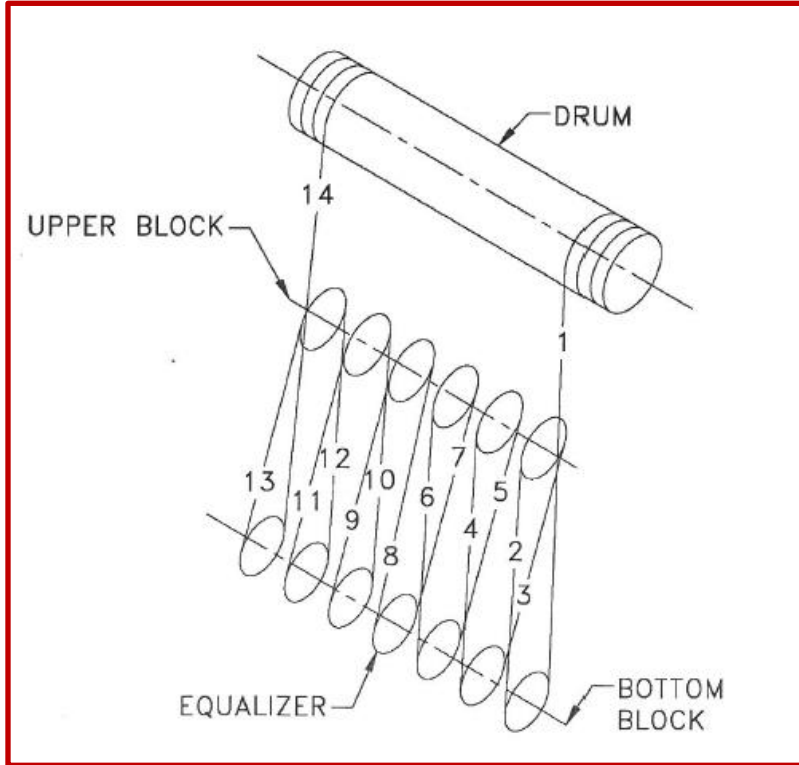


12 Ropes – Conventional Reeving  
 6 Parts – Double – Outside to Inside

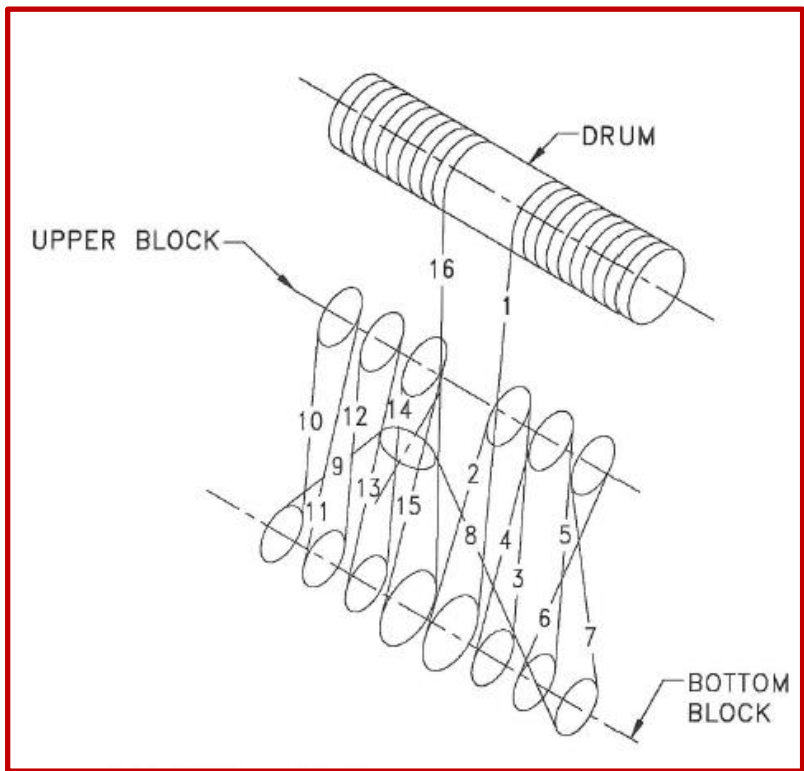
Figure 9



12 Ropes – Cross Reeving  
 6 Parts – Double – Outside to Inside  
 Figure 10

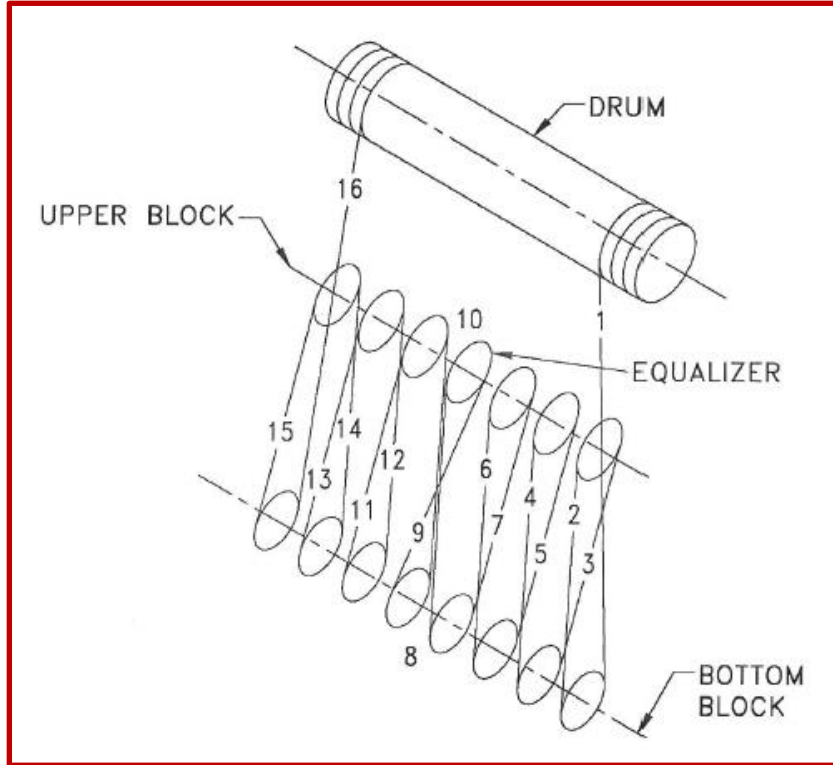


14 Ropes – Cross Reeving  
 7 Parts – Double – Outside to Inside  
 Figure 11



16 Ropes – Conventional Reeving  
 8 Parts – Double – Inside to Outside

Figure 12



16 Ropes – Cross Reeving  
 8 Parts – Double – Outside to Inside  
 Figure 13